

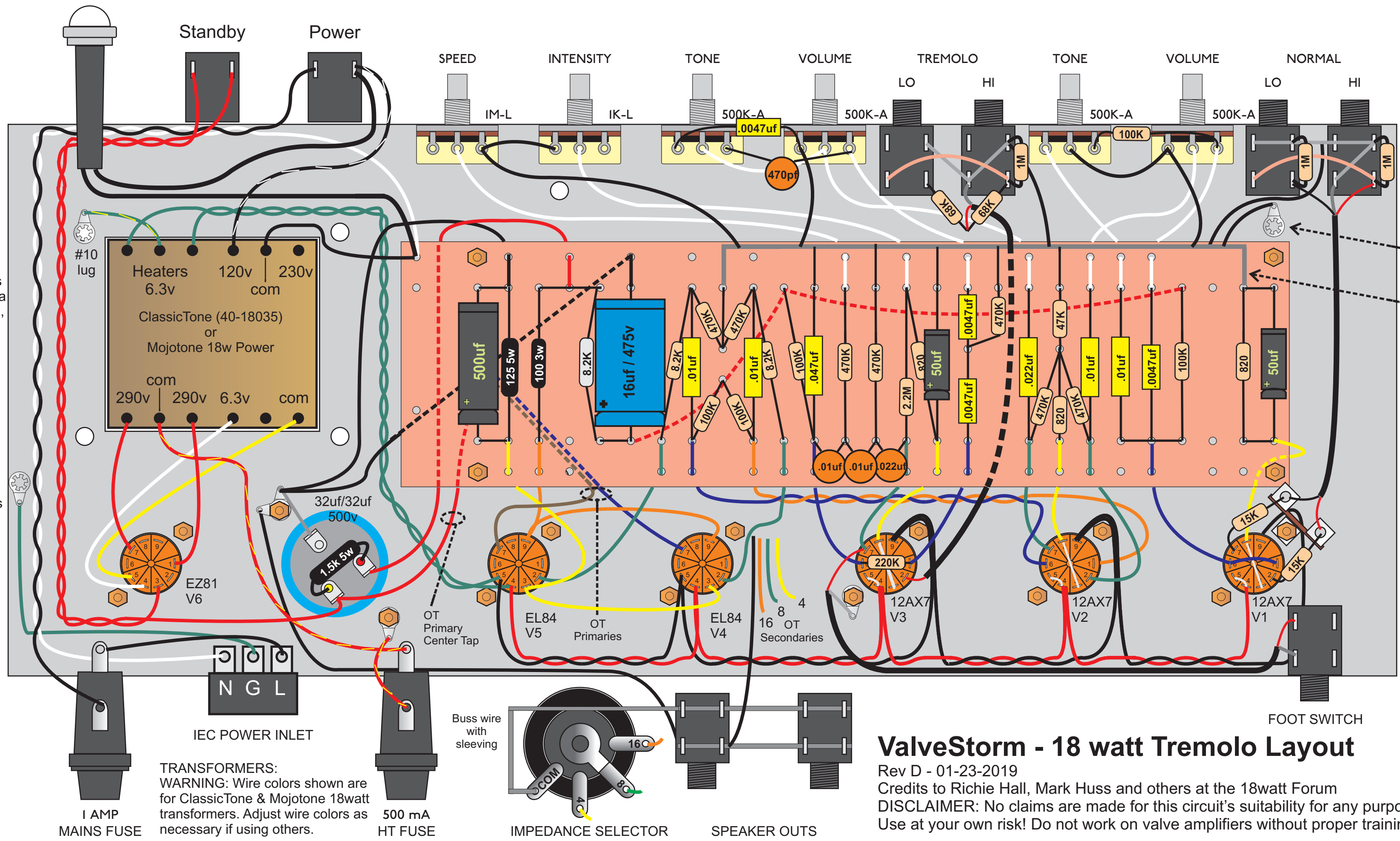
Unused PT wires should be cut to a servicable length, individually heat shrunk, and bundled aside.

Secure with #6 hardware to side of chassis

Shown with "Normal Channel Mod" to create a true HI/LO channel

Drill new hole and secure with #6 hardware

Buss wire



1 AMP MAINS FUSE

TRANSFORMERS:
WARNING: Wire colors shown are for ClassicTone & Mojotone 18watt transformers. Adjust wire colors as necessary if using others.

500 mA HT FUSE

IMPEDANCE SELECTOR

SPEAKER OUTS

FOOT SWITCH

ValveStorm - 18 watt Tremolo Layout

Rev D - 01-23-2019
Credits to Richie Hall, Mark Huss and others at the 18watt Forum
DISCLAIMER: No claims are made for this circuit's suitability for any purpose!
Use at your own risk! Do not work on valve amplifiers without proper training!